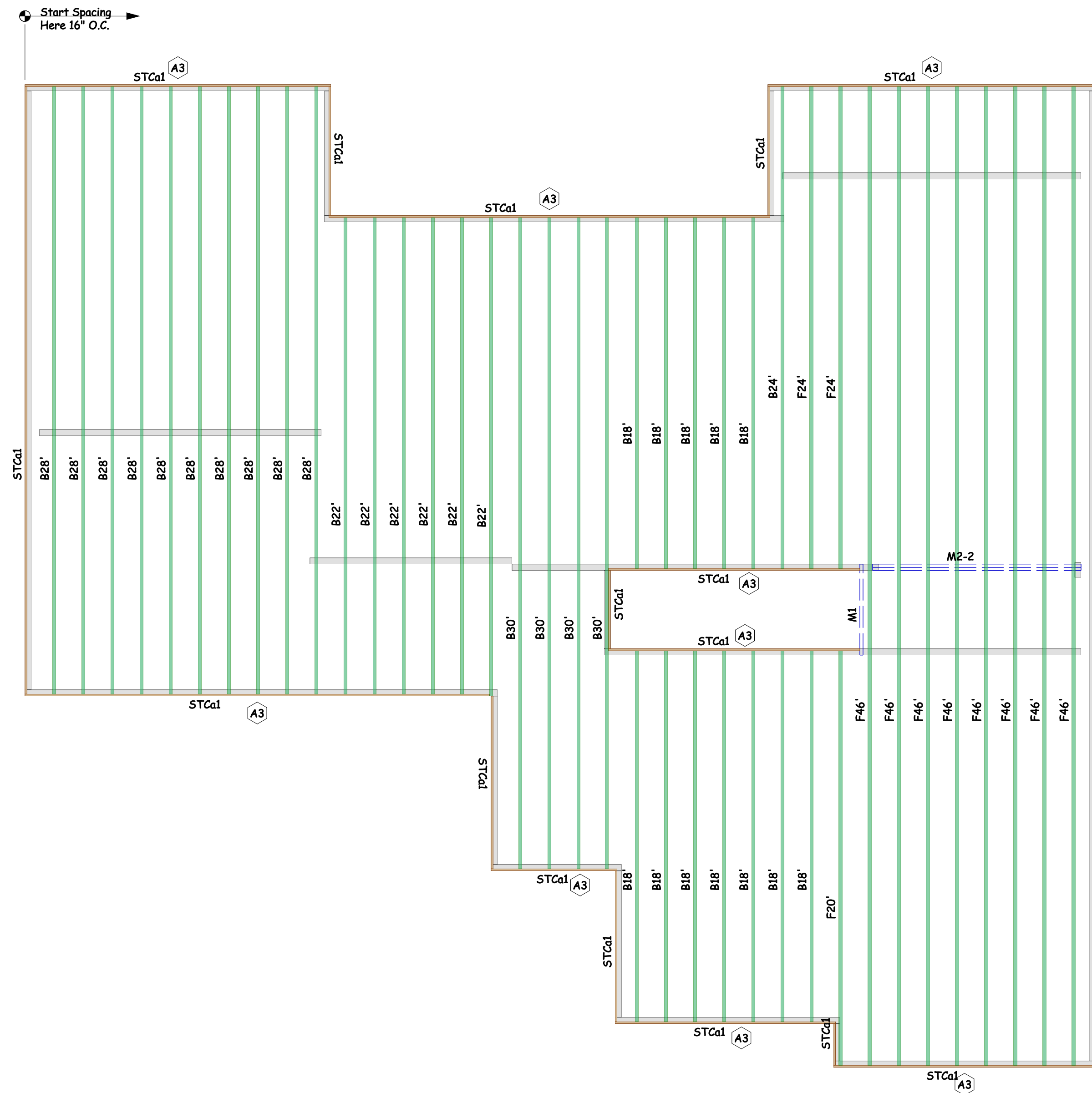
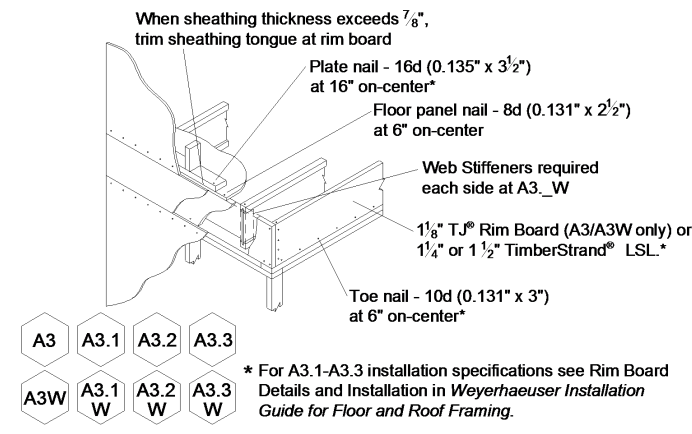


A complete Javelin® framing plan requires the Framers' Pocket Guide
See the Framers' Pocket Guide for Product Trademark Information



LEVEL NOTES	
Current Date:	6/18/2019
File Name:	VANTAGE NEW BEGINNINGS.jvl
Level Name:	Foundation
TJ-Pro Rating (Weighted Average):	42
Minimum Level TJ - Pro Rating & Joist:	TJ-Pro rating = 36, joist = F20 (i308)
Maximum Level TJ - Pro Rating & Joist:	TJ-Pro rating = 47, joist = B22 (i295)
Building Code - Design Methodology:	IBC 2015
FLOOR	
Floor Container:	FC1
Use/Occupancy:	ResidentialLivingAreas
Floor Area Loading is:	40.0 lb/ft² Live Load & 12.0 lb/ft² Dead Load
Maximum Allowed Deflection:	L/480 Live Load & L/240 Total Load
TJ-Pro Rating Information:	
Weighted Average:	42
Directly Applied Ceiling:	None
Decking Attachment:	Glue and Nail
Decking Material:	23/32"x48"x96" Weyerhaeuser Edge Panel (0/24) T&G FF
Perpendicular Partition:	No
Strapping at max 8' o.c.:	None
Blocking at max 8' o.c.:	No
Poured Flooring:	No

Products				
PlotID	Length	Product	Plies	Net Qty
B30'	30' 0"	11 7/8" TJI® 110	1	4
B28'	28' 0"	11 7/8" TJI® 110	1	10
B24'	24' 0"	11 7/8" TJI® 110	1	1
B22'	22' 0"	11 7/8" TJI® 110	1	6
B18'	18' 0"	11 7/8" TJI® 110	1	12
F46'	46' 0"	11 7/8" TJI® 210	1	8
F24'	24' 0"	11 7/8" TJI® 210	1	2
F20'	20' 0"	11 7/8" TJI® 210	1	1
M1	6' 0"	1 3/4" x 11 7/8" 2.0E Microllam® LVL	1	1
M2-2	10' 0"	1 3/4" x 9 1/2" 2.0E Microllam® LVL	2	2
STCa1	24' 0"	1 1/8" x 11 7/8" TJI® Rim Board	1	10

Accessories				
PlotID	Length	Product	Plies	Net Qty
		23/32"x48"x96" Weyerhaeuser Edge Panel (0/24) T&G FF	1	52

These placement plans have been developed for the specification of products based on project information provided. This service is solely intended for product application assurance and is not intended to circumvent the need for a design professional as determined by the building code. The designer of record and/or builder/framer is responsible to assure these drawings are compatible with the overall project.

Prepared By:

Drawn By:
Checked By:
Release Date:
Revision Date:

Address/Lot:
City, State:
Job #:
Scale:

Customer: VANTAGE POINT
Job Name: NEW BEGINNINGS
Plan/Model #:
Subdivision:

Sheet:
1 of 1



WARNING

Joists are unstable until braced laterally

Bracing includes:

- Blocking
- Sheathing
- Strut Lines
- Hangers
- Rim Board
- Top Nail



DO NOT walk on joists until braced. INJURY MAY RESULT.



DO NOT walk on joists that are tying flat.



DO NOT stack building materials on unbraced joists. Stack only over beams or walls.

WARNING NOTES:

Lack of proper bracing during construction can result in serious accidents. Observe the following guidelines:

1. Proper install of blocking, hangers, rim board, and top nails at 17" spaced intervals.
2. Available bracing (i.e. Sheathing) should be in the 3' end joints at the end of the bay or around end wall.
3. Safety bracing of 1x4 (minimum) must be nailed to a braced end wall or sheathed area end to each joint.
4. Sheathing must be completely installed to every 16" joist for the full length of the bay to be placed on the system.
5. Ends of cantilevers require safety bracing on both the top and bottom flanges.
6. The design must create single walls 10' from the diagonal.

WARNING: JOISTS ARE UNSTABLE UNTIL BRACED LATEROALLY
Weyerhaeuser, Microllam, Framlam, TimberStrand, T&F, and Trus Joist are registered trademarks of Weyerhaeuser NR. © 2014 Weyerhaeuser NR Company. All rights reserved.

Symbol Legend	
	User Defined Point Load
	User Defined Area Load
	Beam By Others
	Post By Others
	Layout Start Location
	Construction Detail Callout (See Framers' Pocket Guide)
	Excessive Point Load (WARNING: Member design did not include this load. Special consideration is required by the designer of record.)
	Required Beaming Length (Only placed at insufficient bearing locations.)