



## City of Idaho Falls Residential Plan Review-12-6-2017

Address: **827 TRAILS END AND ALL TYPE 'A' TOWNHOUSE DESIGNED UNITS**

Permit No: **TBD**

**Applicant, Contractor: ROTH Properties**

**Owner: New Earth Development, Freedom, WY**

**When "Note" is indicated on review, no response is required this is will be inspected at the job by inspector, also N/A means "not applicable" to this job., The items in red must be submitted prior to permit.**

2012 IRC Correction Items	Complies	Provide
1. HVAC Design	No	Heating design required for review
1. Fire Stop Detail	Note	See Attached pages
2. REScheck & Wright Soft Heating	Note	On Job when insulation inspection is requested.
3. Indoor whole house Ventilation	Note	Provide kitchen area whole house fan and switch in kitchen. Motorized Damper in mechanical room for fresh air to furnace. Ventilation Sticker required at C.O. attached to visible location in mechanical room.
4. New Insulation Sticker	Note	Provide approved Energy Code Compliance Sticker on the outside of the Electric Panel at C.O. Inspection.
5. Garage to house man door	Note	Shall be insulated and weather-stripped per 2012 IECC.

**R302.11 Fireblocking.**

In combustible construction, fireblocking shall be provided to cut off all concealed draft openings (both vertical and horizontal) and to form an effective fire barrier between stories, and between a top *story* and the roof space.

Fireblocking shall be provided in wood-frame construction in the following locations:

1. In concealed spaces of stud walls and partitions, including furred spaces and parallel rows of studs or staggered studs, as follows:
  - 1.1. Vertically at the ceiling and floor levels.
  - 1.2. Horizontally at intervals not exceeding 10 feet (3048 mm).
2. At all interconnections between concealed vertical and horizontal spaces such as occur at soffits, drop ceilings and cove ceilings.
3. In concealed spaces between stair stringers at the top and bottom of the run. Enclosed spaces under stairs shall comply with Section R302.7.
4. At openings around vents, pipes, ducts, cables and wires at ceiling and floor level, with an *approved* material to resist the free passage of flame and products of combustion. The material filling this annular space shall not be required to meet the [ASTM E 136](#) requirements.
5. For the fireblocking of chimneys and fireplaces, see Section R1003.19.
6. Fireblocking of cornices of a two-family *dwelling* is required at the line of *dwelling unit* separation.

**R302.11.1 Fireblocking materials.**

Except as provided in Section R302.11, Item 4, fireblocking shall consist of the following materials.

1. Two-inch (51 mm) nominal lumber.
2. Two thicknesses of 1-inch (25.4 mm) nominal lumber with broken lap joints.
3. One thickness of  $2\frac{3}{32}$ -inch (18.3 mm) wood structural panels with joints backed by  $2\frac{3}{32}$ -inch (18.3 mm) wood structural panels.
4. One thickness of  $\frac{3}{4}$ -inch (19.1 mm) particleboard with joints backed by  $\frac{3}{4}$ -inch (19.1 mm) particleboard.
5. One-half-inch (12.7 mm) gypsum board.
6. One-quarter-inch (6.4 mm) cement-based millboard.
7. Batts or blankets of mineral wool or glass fiber or other *approved* materials installed in such a manner as to be securely retained in place.
8. Cellulose insulation installed as tested for the specific application.

**R302.11.1.1 Batts or blankets of mineral or glass fiber.**

Batts or blankets of mineral or glass fiber or other *approved* nonrigid materials shall be permitted for compliance with the 10-foot (3048 mm) horizontal fireblocking in walls constructed using parallel rows of studs or staggered studs.

**R302.11.1.2 Unfaced fiberglass.**

Unfaced fiberglass batt insulation used as fireblocking shall fill the entire cross section of the wall cavity to a minimum height of 16 inches (406 mm) measured vertically. When piping, conduit or similar obstructions are encountered, the insulation shall be packed tightly around the obstruction.

**R302.11.1.3 Loose-fill insulation material.**

Loose-fill insulation material shall not be used as a fireblock unless specifically tested in the form and manner intended for use to demonstrate its ability to remain in place and to retard the spread of fire and hot gases.

**R302.11.2 Fireblocking integrity.**

The integrity of all fireblocks shall be maintained.

**R302.12 Draftstopping.**

In combustible construction where there is usable space both above and below the concealed space of a floor/ceiling assembly, draftstops shall be installed so that the area of the concealed space does not exceed 1,000 square feet (92.9 m<sup>2</sup>). Draftstopping shall divide the concealed space into approximately equal areas. Where the assembly is enclosed by a floor membrane above and a ceiling membrane below, draftstopping shall be provided in floor/ceiling assemblies under the following circumstances:

1. Ceiling is suspended under the floor framing.
2. Floor framing is constructed of truss-type open-web or perforated members.

**R302.12.1 Materials.**

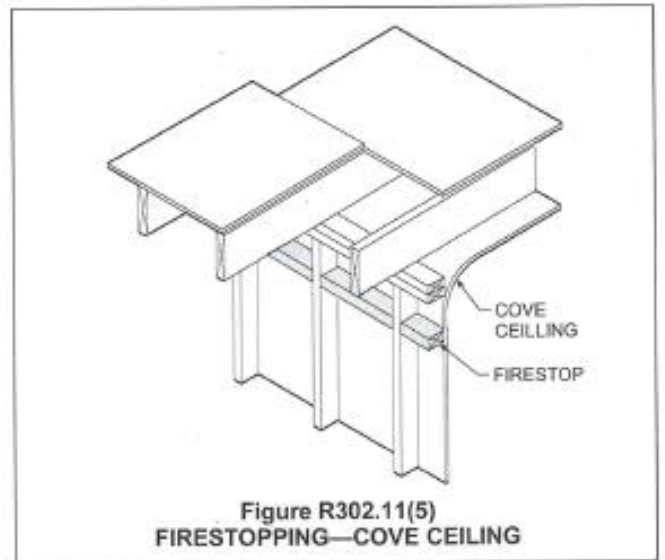
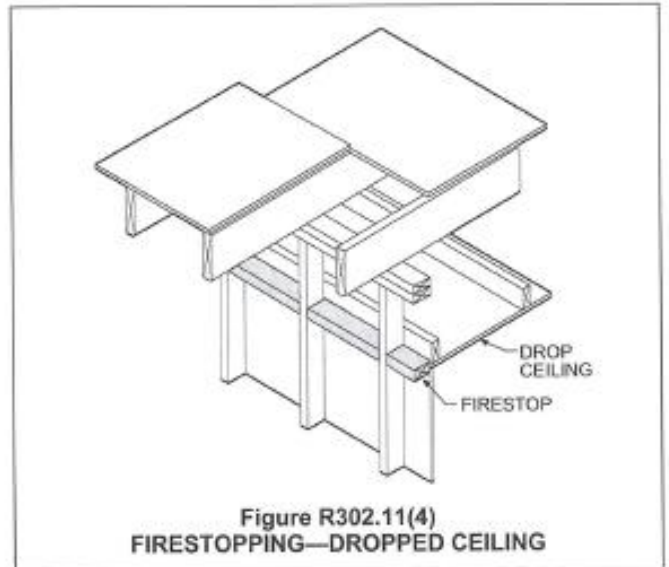
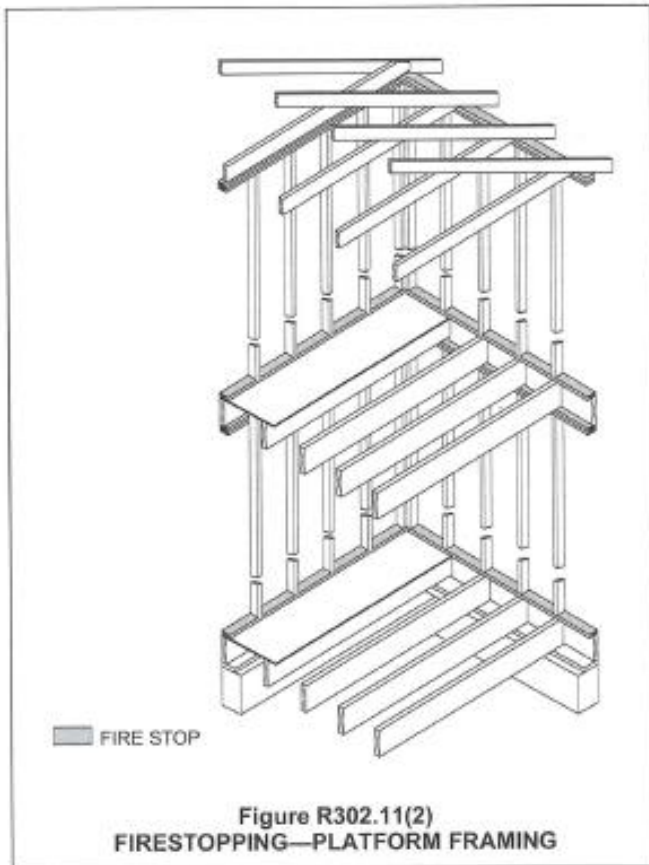
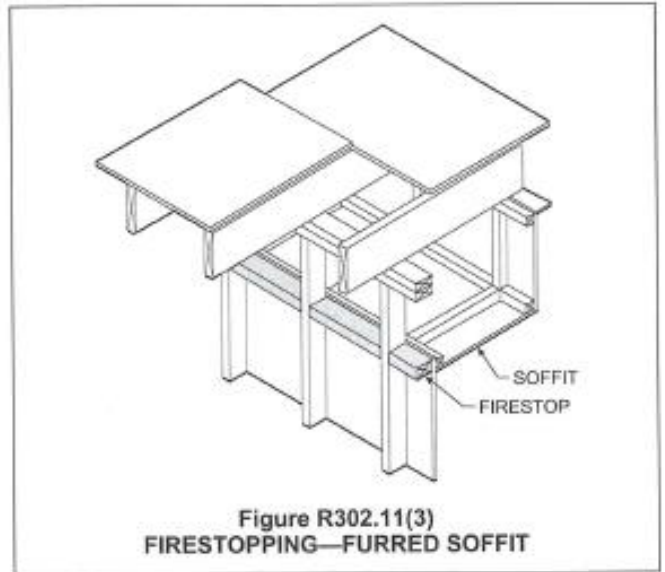
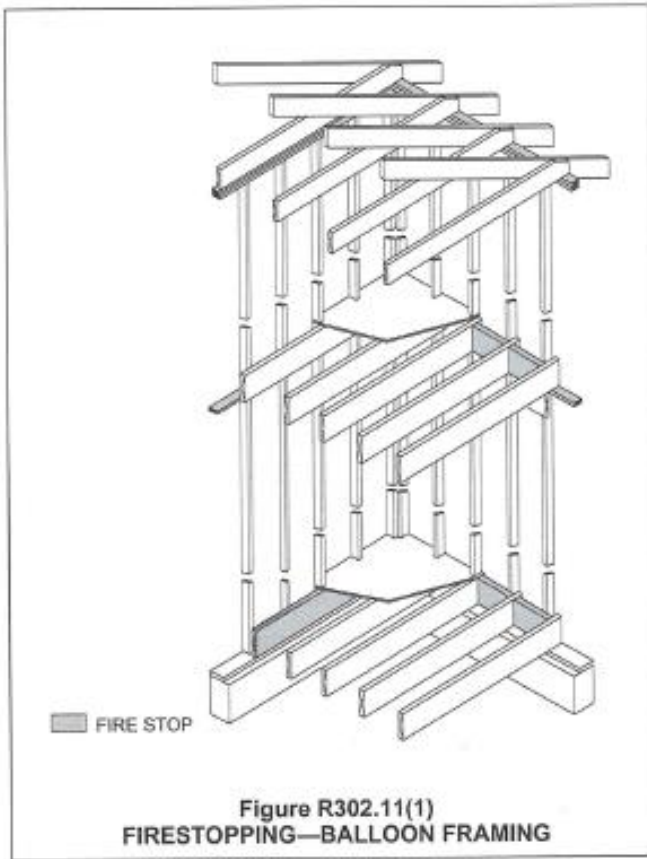
Draftstopping materials shall not be less than  $\frac{1}{2}$ -inch (12.7 mm) gypsum board,  $\frac{3}{8}$ -inch (9.5 mm) wood structural panels or other *approved* materials adequately supported. Draftstopping shall be installed parallel to the floor framing members unless otherwise *approved* by the *building official*. The integrity of the draftstops shall be maintained.

**R302.13 Combustible insulation clearance.**

Combustible insulation shall be separated a minimum of 3 inches (76 mm) from recessed luminaires, fan motors and other heat-producing devices.

**Exception:** Where heat-producing devices are listed for lesser clearances, combustible insulation complying with the listing requirements shall be separated in accordance with the conditions stipulated in the listing.

Recessed luminaires installed in the *building thermal envelope* shall meet the requirements of Section N1102.4.4 of this code.



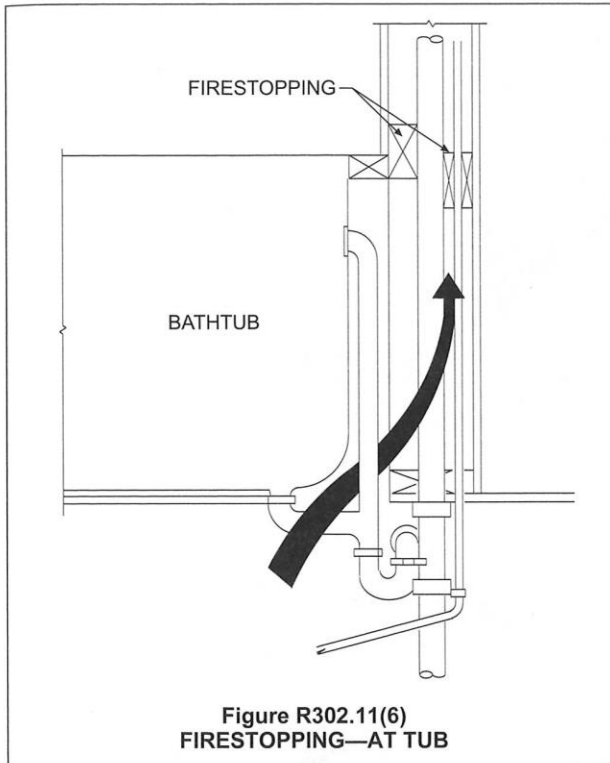


Figure R302.11(6)  
FIRESTOPPING—AT TUB

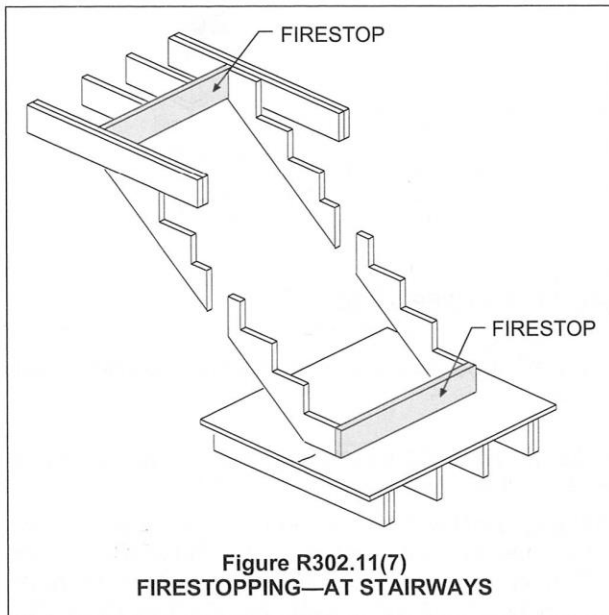


Figure R302.11(7)  
FIRESTOPPING—AT STAIRWAYS

**R302.11.1 Fireblocking materials.** Except as provided in Section R302.11, Item 4, fireblocking shall consist of the following materials.

1. Two-inch (51 mm) nominal lumber.
2. Two thicknesses of 1-inch (25.4 mm) nominal lumber with broken lap joints.

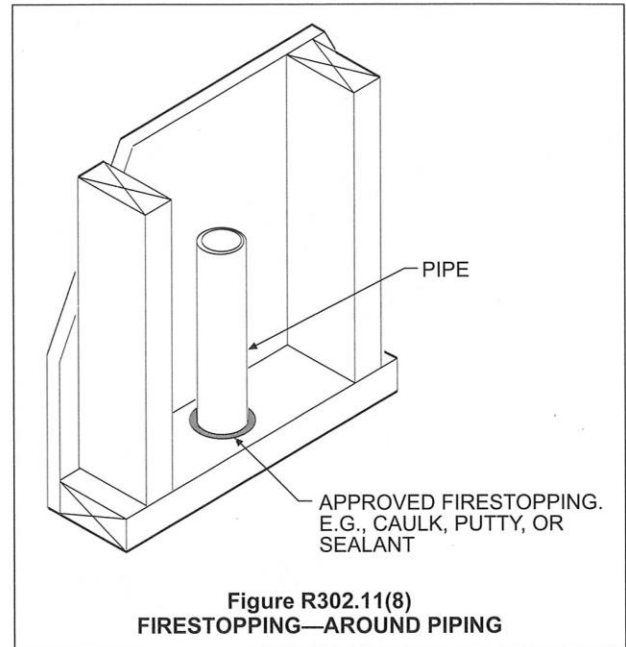


Figure R302.11(8)  
FIRESTOPPING—AROUND PIPING

3. One thickness of  $\frac{23}{32}$ -inch (18.3 mm) wood structural panels with joints backed by  $\frac{23}{32}$ -inch (18.3 mm) wood structural panels.
4. One thickness of  $\frac{3}{4}$ -inch (19.1 mm) particleboard with joints backed by  $\frac{3}{4}$ -inch (19.1 mm) particleboard.
5. One-half-inch (12.7 mm) gypsum board.
6. One-quarter-inch (6.4 mm) cement-based millboard.
7. Batts or blankets of mineral wool or glass fiber or other *approved* materials installed in such a manner as to be securely retained in place.
8. Cellulose insulation installed as tested for the specific application.

❖ This section specifies the material required for fireblocking. Fireblocking around chimneys and fireplaces must be noncombustible according to Section R1003.19 as specified in Item 5 of Section R302.11. The fireblocking at openings around vents, pipes, ducts and wires at the ceiling and floor level is required only to be adequate to resist the free passage of flames and smoke according to Item 4 of Section R302.11; however, this fireblocking can be constructed from combustible materials. So that it is not accidentally displaced, all fireblocking material must be securely fastened in place.

**R302.11.1.1 Batts or blankets of mineral or glass fiber.** Batts or blankets of mineral or glass fiber or other *approved* nonrigid materials shall be permitted for compliance with the 10-foot (3048 mm) horizontal fireblocking in walls constructed using parallel rows of studs or staggered studs.

❖ Batts or blankets may serve as horizontal fireblocking in walls if installed in accordance with Sections R302.11.1.2 through R302.11.1.3.