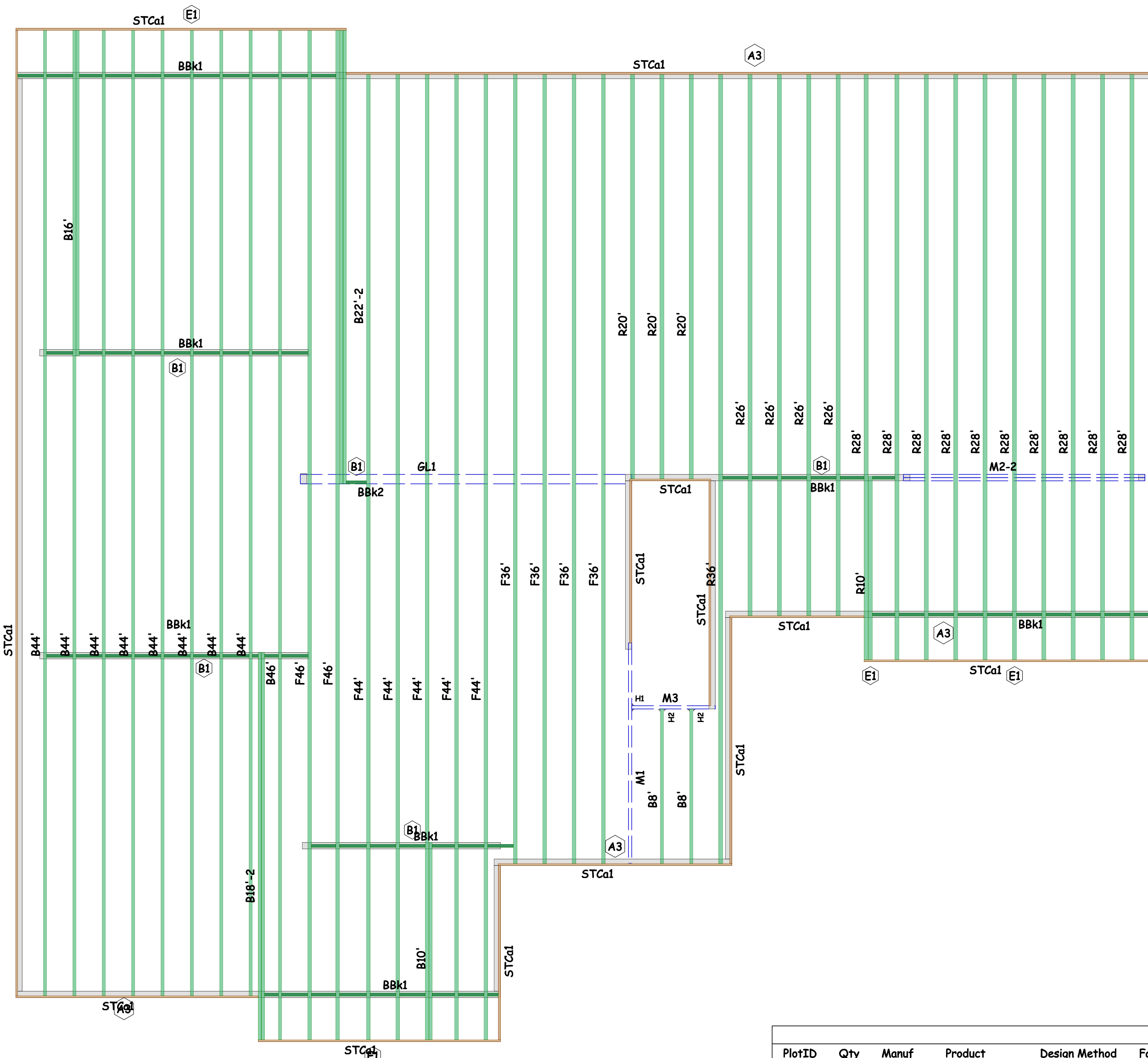
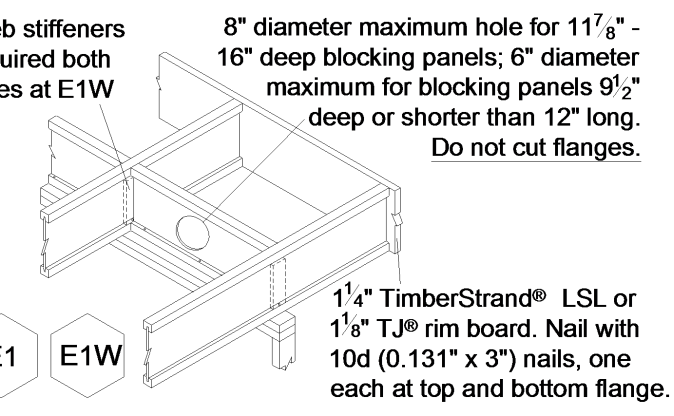
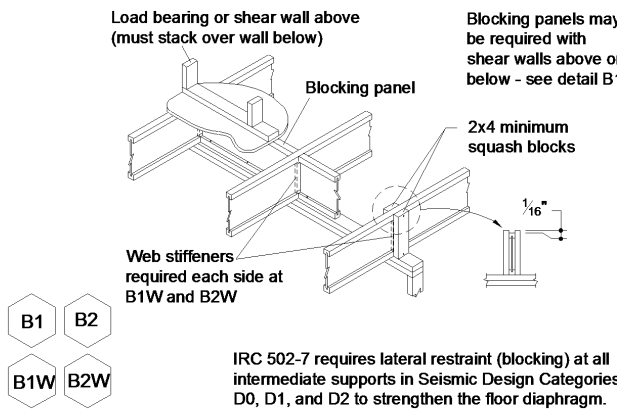
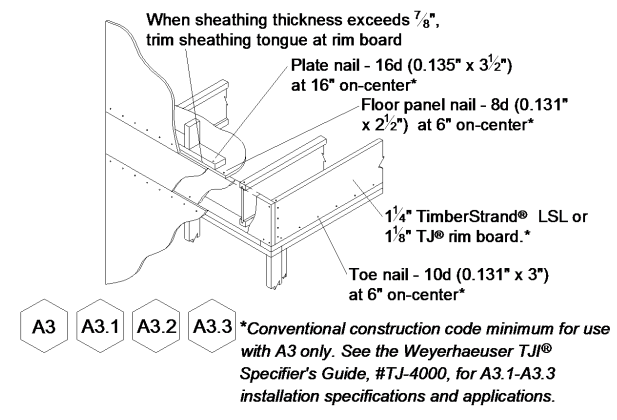


A complete Javelin® framing plan requires the Framers' Pocket Guide  
See the Framers' Pocket Guide for Product Trademark Information



LEVEL NOTES	
Current Date:	9/19/2018
File Name:	FALL CREEK MCKINLEY 1864 Fairway Estates 17-15-5.vxl
Level Name:	Foundation
TJ-Pro Rating (Weighted Average):	43
Minimum Level TJ - Pro Rating & Joist:	TJ-Pro rating = 38, joist = F46' (I2757)
Maximum Level TJ - Pro Rating & Joist:	TJ-Pro rating = 70, joist = R10' (I2891)
Building Code - Design Methodology:	IBC 2015
<b>FLOOR</b>	
Floor Container:	FC5
Use/Occupancy:	ResidentialLivingAreas
Floor Area Loading is:	40.0 lb/ft² Live Load & 12.0 lb/ft² Dead Load
Maximum Allowed Deflection:	L/480 Live Load & L/240 Total Load
TJ-Pro Rating Information:	
Weighted Average:	43
Directly Applied Ceiling:	None
Decking Attachment:	Glue and Nail
Decking Material:	23/32"x48"x96" Weyerhaeuser Edge Panel (0/24) T4G FF
Perpendicular Partition:	No
Strapping at max 8' o.c.:	None
Blocking at max 8' o.c.:	No
Poured Flooring:	No

Products				
PlotID	Length	Product	Plies	Net Qty
B46'	46' 0"	11 7/8" TJI® 110	1	1
B44'	44' 0"	11 7/8" TJI® 110	1	8
B22'-2	22' 0"	11 7/8" TJI® 110	2	2
B18'-2	18' 0"	11 7/8" TJI® 110	2	2
B16'	16' 0"	11 7/8" TJI® 110	1	1
B10'	10' 0"	11 7/8" TJI® 110	1	1
B8'	8' 0"	11 7/8" TJI® 110	1	2
F46'	46' 0"	11 7/8" TJI® 210	1	2
F44'	44' 0"	11 7/8" TJI® 210	1	5
F36'	36' 0"	11 7/8" TJI® 210	1	4
R36'	36' 0"	11 7/8" TJI® 360	1	1
R28'	28' 0"	11 7/8" TJI® 360	1	10
R26'	26' 0"	11 7/8" TJI® 360	1	4
R20'	20' 0"	11 7/8" TJI® 360	1	3
R10'	10' 0"	11 7/8" TJI® 360	1	1
M2-2	12' 0"	1 3/4" x 11 7/8" 2.0E Microllam® LVL	2	2
M1	12' 0"	1 3/4" x 11 7/8" 2.0E Microllam® LVL	1	1
M3	4' 0"	1 3/4" x 11 7/8" 2.0E Microllam® LVL	1	1
STCa1	24' 0"	1 1/8" x 11 7/8" TJ® Rim Board	1	9
GL1	16' 0"	5 1/8" x 16 1/2" 24F-V4 DF Glulam	1	1

Accessories				
PlotID	Length	Product	Plies	Net Qty
		23/32"x48"x96" Weyerhaeuser Edge Panel (0/24) T4G FF	1	59

Blocking				
PlotID	Length	Product	Plies	Net Qty
BBk1	2' 0"	11 7/8" TJI® 110	1	58
BBk1	1' 0"	11 7/8" TJI® 110	1	4
BBk2	1' 0"	11 7/8" TJI® 110	1	1

Framing Connector Summary												
PlotID	Qty	Manuf	Product	Design Method	Face Nails	Top Nails	Member Nails	Skew	Slope	Backer Blks	Filler	Web Stiff
H1	1	Simpson	ITS1.81/11.88	Designed	2-10d x 1-1/2	4-10d x 1-1/2	2-10d x 1-1/2	-	-	No	No	No
H2	2	Simpson	ITS1.81/11.88	Designed	2-10d x 1-1/2	4-10d x 1-1/2	-	-	-	No	No	No

### WARNING

Joists are unstable until braced laterally

Bracing Includes:

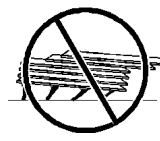
- Blocking
- Sheathing
- Stud Lines
- Hangers
- Rim Boards
- Shee Joist



DO NOT walk on joists until braced. INJURY MAY RESULT.



DO NOT walk on joists that are lying flat.



DO NOT stack building materials on unsheathed joists. Stack only over beams or walls.

#### WARNING NOTES:

Lack of proper bracing during construction can result in serious accidents. Observe the following guidelines:

- All blocking, hangers, rim boards and rim joists at the end supports of the T-Je joists must be completely installed and properly nailed.
- Lateral strength, like braced end wall or an existing deck, must be established at the ends of the bay. This can also be accomplished by a temporary or permanent deck (sheathing) fastened to the first 4 feet of joists at the end of the bay.
- Safety bracing of 1x4 (minimum) must be nailed to a braced end wall or sheathed area (as in note 2) and to each joist. Without this bracing, backing sideways or rollover is highly probable under light construction loads - such as a worker or one layer of unnailed sheathing.
- Sheathing must be completely attached to each T-Je joist before additional loads can be placed on the system.
- Ends of cantilevers require safety bracing on both the top and bottom flanges.
- The Barges must remain straight within 1/2" from the alignment.

Weyerhaeuser, Luce®, Microllam®, Parallam®, Sikert Floor®, TimberStrand®, T&E, T-Je and Trus Joist® are registered trademarks of Weyerhaeuser NR. © 2012 Weyerhaeuser NR Company. All rights reserved.

Symbol Legend	
◇	User Defined Point Load
□	User Defined Line Load
■	User Defined Area Load
IBC	Stairs by Others
FRD	Post by Others
→	Layed Start Location
○	Construction Detail Callout (See Framers' Pocket Guide)
⊙	Excessive Point Load (WARNING: Member design did not include this load. Special consideration is required by the designer or record.)
⊖	Required Bearing Length (Only placed at insufficient bearing locations.)



Drawn By:  
Checked By:  
Release Date:  
Revision Date:

These placement plans have been developed for the specification of products based on project information provided. This service is solely intended for product application assurance and is not intended to circumvent the need for a design professional as determined by the building code. The designer of record and/or builder/framer is responsible to assure these drawings are compatible with the overall project.

Prepared By:

Address/Lot:  
City, State:  
Job #:  
Scale:

FALL CREEK

MCKINLEY 1864 Fairway Estates 17-15-5

Customer:  
Job Name:  
Plan/Model #:  
Subdivision:

Sheet:  
1 of 1