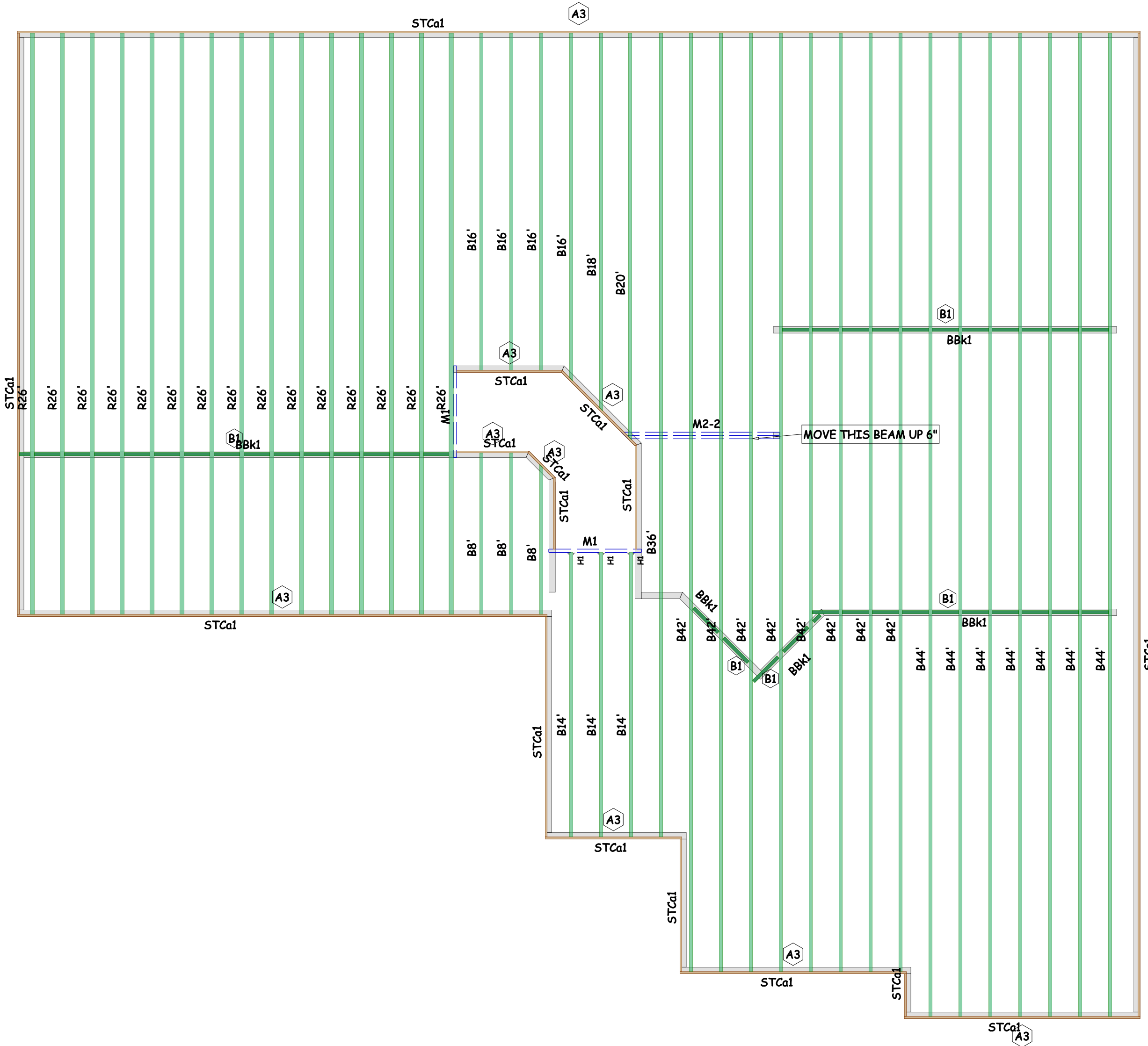
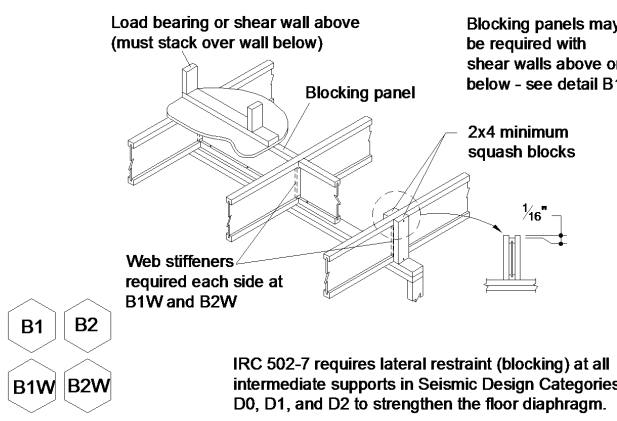
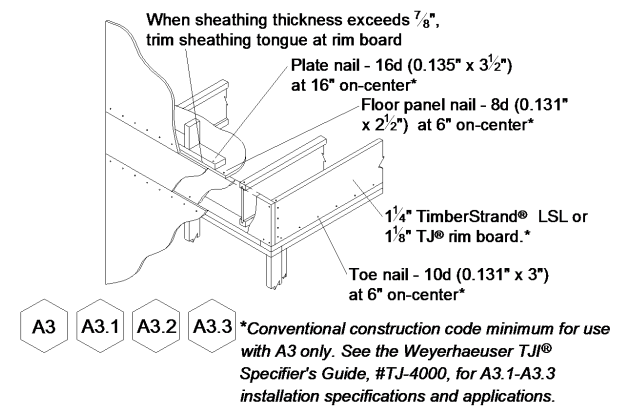


A complete Javelin® framing plan requires the Framers' Pocket Guide
See the Framers' Pocket Guide for Product Trademark Information



LEVEL NOTES	
Current Date:	9/10/2018
File Name:	FALL CREEK YOSEMITE 5010 Rock Creek Dr.rvt
Level Name:	Foundation
TJ-Pro Rating (Weighted Average):	42
Minimum Level TJ - Pro Rating & Joist:	TJ-Pro rating = 36, Joist = B42 (I1522)
Maximum Level TJ - Pro Rating & Joist:	TJ-Pro rating = 69, Joist = B8 (I1624)
Building Code - Design Methodology:	IBC 2015
FLOOR	
Floor Container:	FC1
Use/Occupancy:	Residential/Living Areas
Floor Area Loading is:	40.0 lb/ft² Live Load & 12.0 lb/ft² Dead Load
Maximum Allowed Deflection:	L/480 Live Load & L/240 Total Load
TJ-Pro Rating Information:	
Weighted Average:	42
Directly Applied Ceiling:	None
Decking Attachment:	Glue and Nail
Decking Material:	23/32"x48"x96" Weyerhaeuser Edge Panel (0/24) T&G FF
Perpendicular Partition:	No
Strapping at max 8' o.c.:	None
Blocking at max 8' o.c.:	No
Poured Flooring:	No

Products				
PlotID	Length	Product	Plies	Net Qty
B44'	44' 0"	11 7/8" TJI® 110	1	7
B42'	42' 0"	11 7/8" TJI® 110	1	8
B36'	36' 0"	11 7/8" TJI® 110	1	1
B20'	20' 0"	11 7/8" TJI® 110	1	1
B18'	18' 0"	11 7/8" TJI® 110	1	1
B16'	16' 0"	11 7/8" TJI® 110	1	4
B14'	14' 0"	11 7/8" TJI® 110	1	3
B8'	8' 0"	11 7/8" TJI® 110	1	3
R26'	26' 0"	11 7/8" TJI® 360	1	15
M1	6' 0"	1 3/4" x 11 7/8" 2.0E Microllam® LVL	1	2
M2-2	8' 0"	1 3/4" x 9 1/2" 2.0E Microllam® LVL	2	2
STCa1	24' 0"	1 1/8" x 11 7/8" TJI® Rim Board	1	9

Accessories				
PlotID	Length	Product	Plies	Net Qty
		23/32"x48"x96" Weyerhaeuser Edge Panel (0/24) T&G FF	1	54

Blocking				
PlotID	Length	Product	Plies	Net Qty
BBk1	2' 0"	11 7/8" TJI® 110	1	39
BBk1	1' 0"	11 7/8" TJI® 110	1	2

Framing Connector Summary												
PlotID	Qty	Manuf	Product	Design Method	Face Nails	Top Nails	Member Nails	Skew	Slope	Backer Blks	Filler	Web Stiff
HI	3	Simpson	ITS1.81/11.88	Undesigned	2-10d x 1-1/2	4-10d x 1-1/2	-	-	-	No	No	No

WARNING

Joists are unstable until braced laterally

Bracing Includes:

- Blocking
- Hangers
- Sheathing
- Rim Board
- Stud Lines
- Top Joist



DO NOT walk on joists until braced. INJURY MAY RESULT.
DO NOT walk on joists that are lying flat.
DO NOT stack building materials on unshathed joists. Stack only over beams or walls.

WARNING NOTES:

Lack of proper bracing during construction can result in serious accidents. Observe the following guidelines:

- All blocking, hangers, rim boards and top joists at the end supports of the T&E joists must be completely installed and properly nailed.
- Lateral strength, like braced end wall or an existing deck, must be established at the ends of the bay. This can also be accomplished by a temporary or permanent deck (sheathing) fastened to the first 4 feet of joists at the end of the bay.
- Safety bracing of 1st (minimum) must be nailed to a braced end wall or sheathed area (as in note 2) and to each joist. Without this bracing, backing sideways or rollover is highly probable under light construction loads - such as a worker or one layer of unnailed sheathing.
- Sheathing must be completely attached to each T&E joist before additional loads can be placed on the system.
- Ends of cantilevers require safety bracing on both the top and bottom flanges.
- The Braces must remain straight within 1/2" from the alignment.

Weyerhaeuser, LVL®E, Microllam®, Parallam®, Silent Floor®, TimberStrand®, T&E, T&E and Trus Joist® are registered trademarks of Weyerhaeuser NR. © 2012 Weyerhaeuser NR Company. All rights reserved.

Symbol Legend	
○	User Defined Point Load
□	User Defined Line Load
■	User Defined Area Load
IBC	Joins By Others
PRIO	Post By Others
→	Layed Start Location
○	Construction Detail Callout (See Framers' Pocket Guide)
○	Excessive Point Load
○	WARNING: Member design did not include this load. Special consideration is required by the designer or record.
○	Required Bearing Length (Only placed at insufficient bearing locations)

JAVELIN
SOFTWARE BY WEYERHAEUSER

Drawn By: _____
Checked By: _____
Release Date: _____
Revision Date: _____

These placement plans have been developed for the specification of products based on project information provided. This service is solely intended for product application assurance, and is not intended to circumvent the need for a design professional as determined by the building code. The designer of record and/or builder/framer is responsible to assure these drawings are compatible with the overall project.

Prepared By: _____

Customer: **FALL CREEK HOMES**
Job Name: **5010 Rock Creek Dr**
Plan/Model #: _____
Subdivision: _____

Address/Lot: _____
City, State: _____
Job #: _____
Scale: _____

Sheet: _____

1 of 1